

OZO

MEDIA MODULE MM-01



MAKING VIRTUAL REALITY

Index



WARNINGS

Operating and Storage Temperature	5
General Warnings	6



BASICS

Extracting Data	8
-----------------	---



WARRANTY AND LEGAL

Warranty	10 - 12
Regulatory and Safety Notices	13 - 14
Recycling	15

Box Content

1. Media Module MM-01, including 500GB solid state storage
2. Media Cable MC-01, for USB3 data transfer to computer directly from Media Module or cartridge in Docking Station.



W A R N I N G S

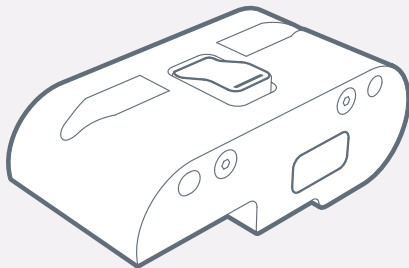
Operating and Storage Temperature



5

Operating Temperature

The device should only be used between +32°F and +86°F (0°C and +30°C). Do not use outside this range.

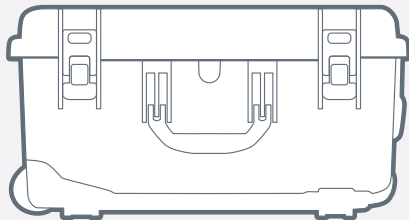


+32°F / +86°F

0°C / +30°C

Storage Temperature

The device should be stored between -4°F and +122°F (-20°C and +50°C). Do not store outside this range.



-4°F / +122°F

-20°C / +50°C



HANDLE WITH CARE

Do not drop the device

If the device is dropped, it may be damaged or modified externally or internally and become unusable for the intended purpose.

After dropping, in case of damage or incorrect operation, please contact the manufacturer for (non-warranty) repair.

Water / humidity

Do not use in or near water. The device is not waterproof, and may be damaged if used underwater, in rain, or in environments with high moisture or humidity.

Repairs / opening the device

Repairs should be performed only by qualified service personnel.

Do not attempt to open the device, as this may cause damage which will void the warranty.

Cables

Do not use the supplied USB cable to directly connect two computers, as this may cause damage.

Do not walk or step on cables.

Do not place heavy objects on cables.

Do not twist cables.

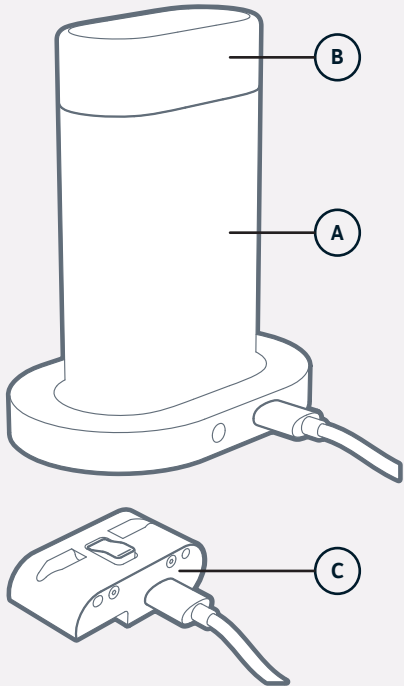


B A S I C S

Extracting Data

Connect the supplied USB cable from an OZO Docking Station (A - supplied separately) to a computer with the OZO Creator application installed. Insert an OZO Digital Cartridge (B - supplied separately) with the Media Module inside.

Alternatively, connect the supplied USB cable directly between the Media Module (C) and the computer.





WARRANTY AND LEGAL

Warranty

WARRANTY, WARRANTY LIMITATIONS AND WARRANTY DISCLAIMER

Subject to the limitations and disclaimers set forth below, Nokia warrants that the products shall be of good quality and free from defects in material and workmanship. Upon the expiration of the time periods set forth below, all liabilities of Nokia will terminate.

Standard Product Warranty

A standard product warranty is granted to the original Buyer by Nokia for a period of one (1) year, parts and labor, for the camera, excluding the batteries. (“Standard Product Warranty”) The standard warranty for batteries is ninety (90) days from the date of delivery of the products to Buyer. This Standard Product Warranty covers parts and labor charges for products that have been returned pre-paid shipment to Nokia, a Nokia Reseller or Nokia authorized service center, as directed by Nokia. All warranty returns shall be done in accordance with Nokia’s return materials authorization

(“RMA”) process. Any repaired or replaced product shall be warranted for a period the greater of (i) the balance of the applicable warranty period relating to such Product or (ii) ninety (90) days after it is received by Buyer. Only the components that were repaired or replaced will be eligible for the 90-day period as set forth above. The Standard Product Warranty effective date is the date the product was received by Buyer or Reseller (if purchased for Reseller’s own use).

Product Warranty Limitations

All Nokia warranties exclude the following:

1. Maintenance, repair or replacement necessitated by loss or damage resulting from any cause other than normal use and operation of the product in accordance with the Nokia’s specifications and product manual, including but not limited to: theft, exposure to weather conditions, use of the product underwater or in wet environments,

operator negligence, misuse, abuse, improper electrical/power supply;

2. Alterations, modifications or repairs by Buyer or unauthorized third parties;
3. Accident, disaster, improper handling or storage, droppage, modification to the camera, opening the camera body, use third party accessories or acts of nature or any other peril originating from outside the product;
4. Transportation damage (except for transportation damaged in delivery of the products to Buyer from Nokia), lack of maintenance, defective batteries, battery leakage;
5. Cosmetic damage or other non-operating parts;
6. Using a product in a manner other than intended usage for that product; and
7. Charges related to “No Trouble Found” diagnosis.

Voiding of Product Warranty

Removal or modification of camera mounts voids any and all warranties. Breaking the seal on the camera body is prohibited and voids any and all warranties unless otherwise approved in writing by Nokia. Any parts replaced by Nokia during warranty repair are the property of Nokia and will not be returned to Buyer. Nokia may use refurbished parts for repairs or replacements. Nokia products are compatible with Nokia software, Nokia parts, and Nokia products only. Use of any software, parts, or products other than Nokia or Nokia-approved software, parts, and products voids any and all warranties.

Warranty Disclaimer

EXCEPT AS SPECIFICALLY SET FORTH ABOVE, NOKIA AND ITS LICENSORS MAKE NO WARRANTIES, CONDITIONS, REPRESENTATION OR TERMS, EXPRESS OR IMPLIED, WHETHER BY STATUTE, COMMON LAW, CUSTOM, USAGE OR OTHERWISE AS TO THE PRODUCT OR ANY COMPONENT

THEREOF, INCLUDING BUT NOT LIMITED TO NON-INFRINGEMENT OF THIRD PARTY RIGHTS, INTEGRATION, MERCHANTABILITY, SATISFACTORY QUALITY, OR FITNESS FOR ANY PARTICULAR PURPOSE. NOKIA AND ITS LICENSORS DO NOT WARRANT THE PERFORMANCE OR RESULT OF THE PRODUCT.

THE SOLE REMEDY UNDER THIS WARRANTY SHALL BE THE REPAIR, REPLACEMENT, OR CREDIT FOR DEFECTIVE PARTS AS STATED ABOVE. THIS WARRANTY IS THE SOLE WARRANTY GIVEN BY NOKIA AND IS IN LIEU OF ANY OTHER WARRANTIES EITHER EXPRESS OR IMPLIED. THIS WARRANTY EXTENDS TO THE BUYER AND IS NON-TRANSFERABLE TO OTHER THIRD PARTIES. NOKIA WILL NOT BE LIABLE FOR ANY PROPERTY DAMAGE, LOST TIME, OR LOST DATA RESULTING FROM THE FAILURE OF ANY PRODUCT OR EQUIPMENT OR FROM DELAYS IN SERVICE OR THE INABILITY TO RENDER SERVICE.

Third-Party Warranty

Nokia does not honor warranty agreements extended by third parties, and only warranty agreements granted and given by Nokia will be honored by Nokia. Nokia warranties do not cover damage caused by third party products (including approved third party products).

Links

The latest product warranty can be found from <https://ozo.nokia.com/>. For warranty assistance please contact OZOsupport@nokia.com.

DECLARATION OF CONFORMITY



Hereby, Nokia Technologies Ltd declares that this MM-01 OZO Media Module product is in compliance with the essential requirements and other relevant provisions of Low Voltage Directive 2006/95/EC, EMC Directive 2004/108/EC and RoHS Directive 2011/65/EU. A copy of the Declaration of Conformity can be found at

<https://ozo.nokia.com/support/>

FCC/IC Regulatory Notices

This device complies with Part 15 of the FCC Rules and Industry Canada license-exempt RSS standard(s). Operation is subject to the following two conditions: (1) this device may not cause harmful interference, and (2) this device must accept any interference received, including interference that may cause undesired operation.

Le présent appareil est conforme aux CNR d'Industrie Canada applicables aux appareils radio exempts de licence. L'exploitation est autorisée aux deux conditions suivantes : (1) l'appareil ne doit pas produire de brouillage, et (2) l'utilisateur de l'appareil doit accepter tout brouillage radioélectrique subi, même si le brouillage est susceptible d'en compromettre le fonctionnement.

NOTE: This equipment has been tested and found to comply with the limits for a Class B digital device, pursuant to part 15 of the FCC Rules. These limits are designed to provide reasonable protection against harmful interference in a residential installation. This equipment generates, uses and can radiate radio frequency energy and, if not installed and used in accordance with the instructions, may cause harmful interference to radio communications. However, there is no guarantee that interference will not occur in a particular installation. If this equipment does cause harmful

interference to radio or television reception, which can be determined by turning the equipment off and on, the user is encouraged to try to correct the interference by one or more of the following measures:

- Reorient or relocate the receiving antenna.
- Increase the separation between the equipment and receiver.
- Connect the equipment into an outlet on a circuit different from that to which the receiver is connected.
- Consult the dealer or an experienced radio/TV technician for help.

CAN ICES-3 (B) / NMB-3 (B)

This Class B digital apparatus complies with Canadian ICES-003.

Cet appareil numérique de classe B est conforme à la norme canadienne ICES-003.

WARNING: Changes or modifications not expressly approved by Nokia could void the user's authority to operate the equipment.

Nokia n'approuve aucune modification apportée à l'appareil par l'utilisateur, quelle qu'en soit la nature. Tout changement ou modification peuvent annuler le droit d'utilisation de l'appareil par l'utilisateur.

Contact information:

Nokia Technologies
200 S Mathilda Avenue
Sunnyvale, CA 94086, USA
Tel: +1-800-273-0873

The crossed out wheeled bin symbol on your product, battery and/or accessories means that the item is classified as electrical and electronic equipment. Such items should not be mixed with general household waste, and must be taken to dedicated collection points at the end of their working life for proper treatment, recovery and recycling. This way you help save valuable resources and promote recycling of materials.



NOKIA

OA 102 - WE - EN - 1.1